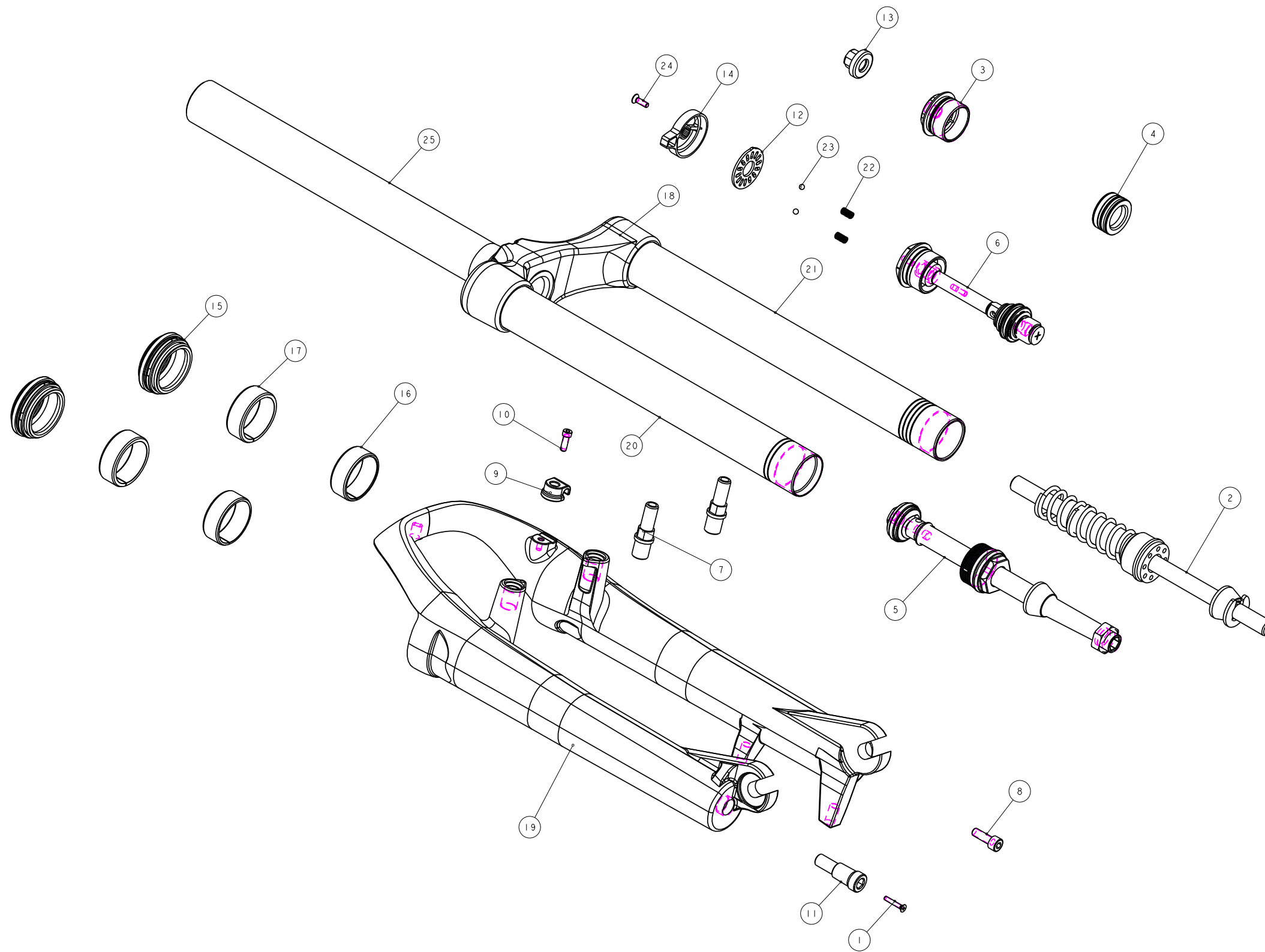


機械加工尺寸一般容許公差					REV.	DATE	DESCRIPTION	CHANGER	CHECK
尺寸	長寬高	尺寸	孔徑	軸徑					
1 <= 10	±0.2	1 <= 10	+0.2 0	+0.2 -0.2					
10.001 <= 100	±0.3	10.001 <= 100	+0.3 0	+0.3 -0.3					
100.001 <= 250	±0.5	100.001 <= 250	+0.5 0	+0.5 -0.5					
250.001 <= 500	±0.8	250.001 <= 500	+1.0 0	+1.0 -1.0					
500 <	±1.3	500 <	+1.5 0	+1.5 -1.5					



25	MFBV-286-700	PART	轉向管	Steerer	1	040550
24	M5R22-2Y11-100	PART	螺絲小螺絲	bolt	1	M3X0.5
23	M5K43-2730-000	PART	小鋼珠	Steel ball	2	φ4
22	M5K43-2351-000	PART	彈簧	Spring	2	Pitch 0.85
21	M5GST2CE268J300	PART	內管 (80mm)	Stanchion	1	067156
20	M5GST2CA268J400	PART	內管 (80mm)	Stanchion	1	067156
19	M5GFRU14-0100	PART	FIRST 有軸外管	RAXXON Coating	1	P130 φ32
18	M5GCR9-EBZA2000	PART	P125磨輪 (粉烤黑)	Crown	1	P125.28.6
17	M5GBH9ACF-U	PART	上襯套	Bush-u	2	
16	M5GBH9ACF-D	PART	下襯套	Bush-d	2	
15	M5GBH8CCC1	ASSEMBLY	VOGUE油封	oil seal	2	TBD
14	M5GAEBTN38	PART	鎖死調整座	OCR KNOBS	1	073060
13	M5GAE9DA183	PART	氣阻蓋	Air Cap	1	TBD
12	M5GAE9CS27-1	PART	OCR鎖死調整垫片	shim	1	073059-01
11	M5GAE9AZ034	PART	回彈調整旋鈕	Rebound knob	1	
10	M5GAC9-1004	PART	圓筒內六角螺絲	HEX Bolts	1	M3X0.5X10L
9	M5GAC8-0731	PART	鎖式固定夾	Wire Clip	1	For M3x0.5
8	M5GAC6002	PART	圓筒內六角螺絲 (NYSEAL)	bolt(NYSEAL)	1	M5X0.8X15L
7	M5FKD-2723-000	PART	煞車軸	pivot	2	M10X1.25
6	H5GDPBAK20B-1	ASSEMBLY	鎖死螺絲組	Lockout Assembly	1	
5	H5GDPBAD265-3	ASSEMBLY	FIRST 24 活套桿組	Hydraulic Damping	1	
4	H5GDPBAD24-1	ASSEMBLY	活套組	PISTON	1	
3	H5GAEBMA250-1	ASSEMBLY	固定導套組	Fixed Guide	1	
2	H5GAEBJA207	ASSEMBLY	壓力腳下座組	Compression Rod Assembly	1	
1	1022A-02515	PART	螺絲螺絲	Bolt	1	M2.5X0.45X15L
NO	PART NO	TYPE	CHINESE NAME	ENGLISH NAME	QTY	NOTE

Bill of material						
MATERIAL	ASSEMBLY	QTY	1	MODEL	11' FIRST 24 AIR (60)	
UNIT	MM	SCALE	0.750	DRAW NO	PGC018FC-	rev. 1.0
FASHING	TREAT			NAME	爆炸圖	
DESIGN	DRAWING	CHECK	CONFIG	APPE	RST	