

D

C

B

A

4

4

3

3

2

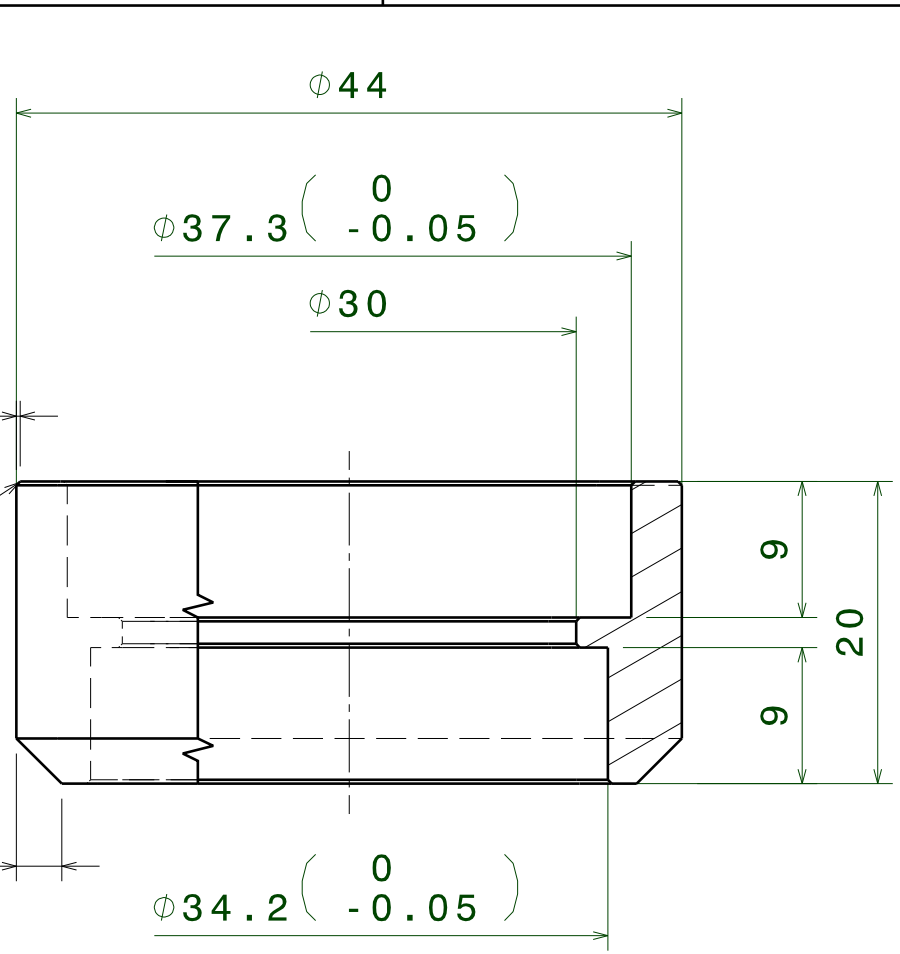
2

1

1

D

A



		<b>GTV</b>			
		DRAWING TITLE			
DRAWN BY <b>GTV</b>		DATE 2013-08-30		<b>Fitting</b>	
CHECKED BY <b>XXX</b>		DATE XXX		DRAWING NUMBER <b>XXX</b>	
DESIGNED BY <b>XXX</b>		DATE XXX		REV <b>X</b>	
		SIZE <b>A4</b>	WEIGHT(kg) <b>XXX</b>		SHEET <b>1/1</b>